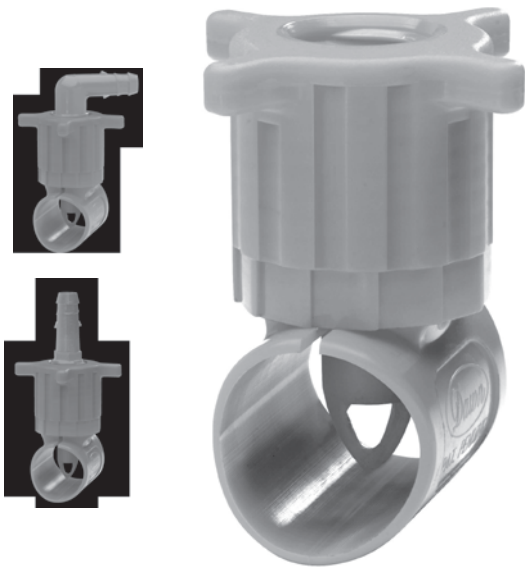


# KwikTap

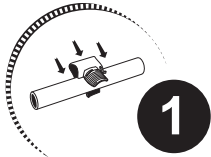
TOOL-LESS SADDLE TEE



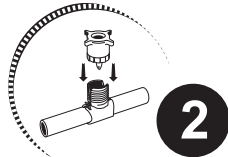
Part Numbers	Description			Bag/Box Quantity
KT007C	3/4" PE	X	1/2" FPT	10/200
KT007D	3/4" PE	X	3/4" FPT	10/200
KT010C	1" PE	X	1/2" FPT	10/200
KT010D	1" PE	X	3/4" FPT	10/200
KT012C	1 1/4" PE	X	1/2" FPT	10/200
KT012D	1 1/4" PE	X	3/4" FPT	10/200
KT015C	1 1/2" PE	X	1/2" FPT	10/200
KT015D	1 1/2" PE	X	3/4" FPT	10/200
KT025C	25mm PE	X	1/2" FPT	10/200
KT025D	25mm PE	X	3/4" FPT	10/200
KT032C	32mm PE	X	1/2" FPT	10/200
KT032D	32mm PE	X	3/4" FPT	10/200
<b>Elbows</b>				
KT007SW-E	3/4" PE	X	Swing Elbow	10/200
KT010SW-E	1" PE	X	Swing Elbow	10/200
KT012SW-E	1 1/4" PE	X	Swing Elbow	10/200
KT015SW-E	1 1/2" PE	X	Swing Elbow	10/200
KT025SW-E	25mm PE	X	Swing Elbow	10/200
KT032SW-E	32mm PE	X	Swing Elbow	10/200
<b>Straights</b>				
KT007SW-S	3/4" PE	X	Swing Straight	10/200
KT010SW-S	1" PE	X	Swing Straight	10/200
KT012SW-S	1 1/4" PE	X	Swing Straight	10/200
KT015SW-S	1 1/2" PE	X	Swing Straight	10/200
KT025SW-S	25mm PE	X	Swing Straight	10/200
KT032SW-S	32mm PE	X	Swing Straight	10/200

## INSTALLATION INSTRUCTIONS

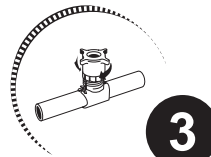
INSTRUCCIONES DE INSTALACION



Simply snap saddle onto the pipe.  
Ponga la abrazadera en la manguera.



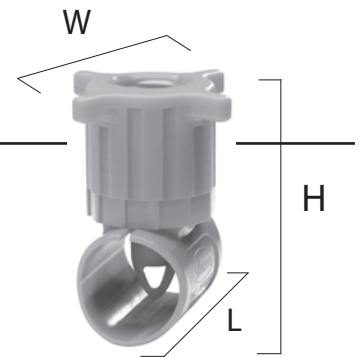
While holding saddle in position, screw the tap onto the ratcheting lock until it can no longer turn.  
Mientras sostiene la montura en posición. Enrosque la tapa hasta que ya no de vuelta.



## Specifications

	H		W		L
KT007 C & D	2.0"	X	2.5"	X	2.75"
KT010 C & D	2.0"	X	2.5"	X	3.0"
KT012 C & D	2.5"	X	2.5"	X	3.25"
KT015 C & D	2.5"	X	2.5"	X	3.5"
KT025 C & D	2.0"	X	2.5"	X	2.75"
KT032 C & D	2.0"	X	2.5"	X	3.0"

## Measurements



## Material

Top: Reinforced Nylon      Bottom: ABS

## Lab Tests

Flow Restriction: 392 psi @ 62 seconds      Flow Rate: 13.6 gmp @ 40 psi  
Quick Burst: 41% less than standard insert tee      Rated: 400 psi

## Piping Application

Designed for 80#, 100# HDPE or MDPE Pipe on outdoor irrigation

## Configurations

Pre-installed swing connections-straight or elbow

## Install Tools Needed

No Tools Needed

## Manufactured In

USA



www.dawnindustries.com